

DuoCreate 15 Portable Monitor

Product Specification

1.0

Version History

Date	By	Changes	Version
2026-02-27		• Initial Version	1.0

Contents

Version History	2
1. Introduction	4
2. Features	5
3. Typical Applications	6
4. Technical Specifications	7

1. Introduction

The DuoCreate 15 is a dual-screen solution designed for professionals who need to expand their workspace. Two 15.6-inch displays are positioned side by side, creating a continuous horizontal field of view that makes multitasking more effortless—no need for constant window switching, with all information clearly presented within a single line of sight for a smoother workflow.

Suitable for a variety of scenarios including document comparison, data analysis, software debugging, and meeting presentations. With dual screens working in tandem, information is always in view, enabling more efficient operation.

Built with a focus on portability, the DuoCreate 15 features a patented foldable stand—quickly set up in seconds and easily stored for travel. A single Type-C cable handles video transmission, data communication, and power delivery, keeping your desktop clean and organized.

1920 x 1080p Full HD resolution, clear and smooth, ideal for daily office work and professional tasks.

DuoCreate 15—expand your view, enhance your efficiency.



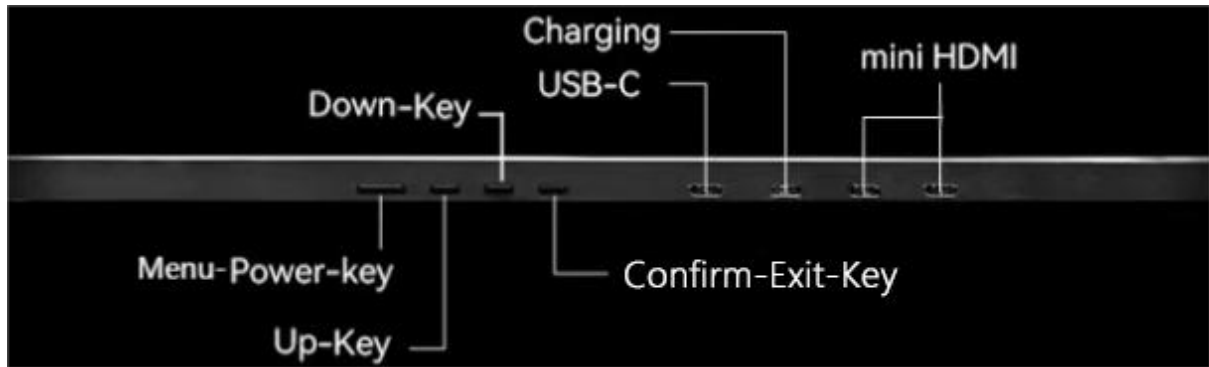
2. Features

- 2 x 15.6 inches FHD IPS Monitors
 - Display Resolution: 1920 x 1080 p
 - Aspect Ratio: 16 : 9
 - Refresh Rate: 60 Hz
 - Color gamut: 72%NTSC
 - Brightness:300(±30) Nits
 - Wide Angle: 178°
 - Support Low Blue light, comfortable for eyes
- Compatible with multiple systems and devices
 - Windows
 - Mac: including M1, M2, M3, M4, M5
 - Linux: Ubuntu
 - The right monitor swivel Angel: 360°
 - Built-in flexible kick stand
 - 2 rotatable hinges for the stand
 - 3 Adjustable Height
 - Compatible Laptop Size: ≤ 18.5 inches

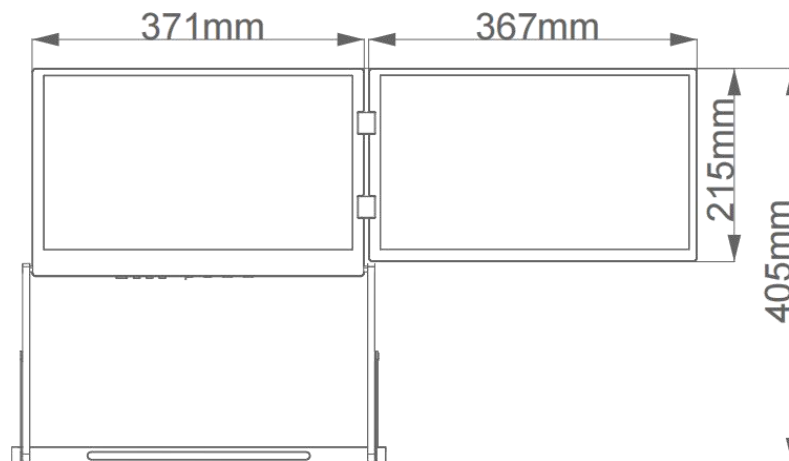
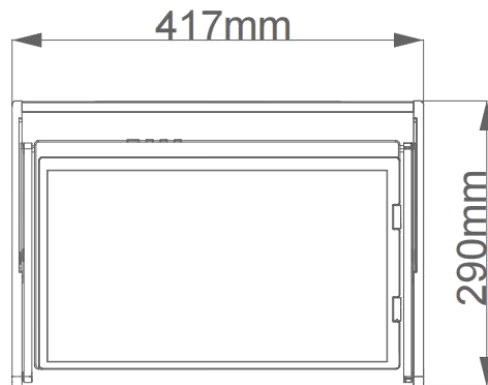
3. Typical Applications

- Software Development : Code writing, program debugging, API documentation reference
- Data Analysis : Spreadsheet comparison, data dashboard, report processing
- Financial Operations : Stock monitoring, real-time market data, multi-screen surveillance
- Video Editing : Timeline editing, footage preview, effect adjustment
- Graphic Design : Photo retouching, UI design, sketching
- Document Processing : Multi-document comparison, literature reading, report writing
- Meeting Presentations : Main screen display, secondary screen for notes or reference materials
- Education & Training : Online teaching, course material display, classroom interaction
- Remote Work : Video conferencing, information reference, multitasking
- On-the-Go Office : Coffee shops, high-speed trains, hotels—set up and go

4. Technical Specifications



- Connection and Interfaces
 - 2 x HDMI exclusive for each monitor
 - 1 x USB A-C + 1 x mini HDMI for dual monitors
 - 1 x Type-C to support dual display
- Power Delivery
 - Type C charging port
- Buttons: 4 keys for dual monitor, from left to right: Menu-Power, Up/+, Down/-, Confirm-Exit



Description	Parameters
Model	DuoCreate 15
Panel Size	15.6" (16 : 9) Dual Screen
Panel technology	IPS
Color gamut	72%NTSC
Display Colors	16.7 M
Resolution	1920 x 1080p
Viewing angle: Vertical Horizontal	85° (typical) 85° (typical)
Brightness (Typ.)	300 (± 30) Nits
Keys	4 Keys: Menu-Power, Up/+, Down/-, Confirm-Exit
Speaker	2 x 6 Ω 2W
Refresh rate	60 Hz
Connectivity	1 x Type-C to support dual display 1 x USB A-C + 1 x mini HDMI for dual monitors 2 x HDMI direct connection to each monitor
Fold Angle	0~ 360°
Net Weight	2.05 KG
Dimension	Unfolding: 743 x 290 x 355-405 mm Folded: 417 x 290 x 24 mm
Compatible systems	Windows, macOS, Linux
Operating Condition	Temperature:0°C-50°C Humidity:20%-80%
Storage condition	Temperature -20°C - +60°C Humidity: 5% - 90%, non-condensing
Power Charger	USB - PD
Certifications/Compliance	