

DuoCreate 15 Portable Monitor User Manual

Contents

1. Product Introduction	2
1.1. What's in the Box	2
1.2. Identifying Parts and Controls	3
1.3. Parameter Settings	3
1.4. How to open and setup the monitor	3
2. Connection and Setup	6
2.1. Connect the Laptop/PC with a Type-C to Type-C Cable	6
2.2. Connect the Laptop/PC with a USB A-C and HDMI Cable	6
2.3. Connect the Laptop/PC with HDMI Cable	6
2.4. Windows Display Setup	7
2.5. macOS Display Setup	8
3. Specifications	10
3.1. Technical specifications	11
4. Trouble Shooting	12
4.1. How to connect correctly?	12
4.2. Only part of screen works.	12
4.3. All displays are non-operational?	13
4.4. Why is there a difference in color between the screens? (masOS only)	13

1. Product Introduction

1.1. What's in the Box

Please contact us if anything is missing or damaged.



DuoCreate 15 Monitor



USB A-C (black) , 1 meter USB A to Type-C cable for video signal transmission



USB C-C (white) , 2 meters Type-C to Type-C cable for power delivery



USB C-C (black) , 1 meter Full Feature Type-C to Type-C cable for video signal transmission

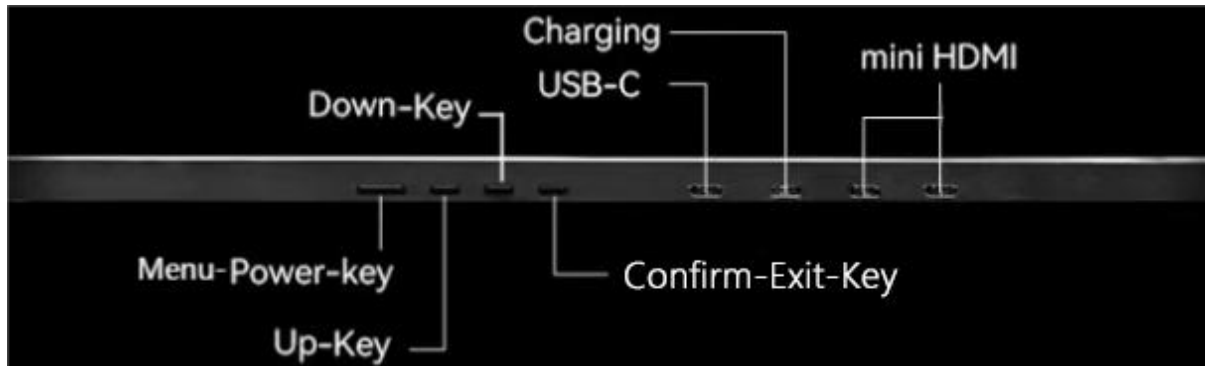


HDMI-mini HDMI (black) , 1 meter HDMI to mini HDMI cable for video signal transmission



Power Adapter (white) , connect the USB C-C Cable to power up the monitor

1.2. Identifying Parts and Controls



Menu-Power-Key: Short press to activate the OSD menu of each monitor, long press (more than 1 second) to turn off/on the monitor.

Up-Key/+ Key: To select the setting or turn up the value, turn up the volume or brightness.

Down-Key/- Key: To select the setting or turn down the value, turn down the volume or brightness.

Confirm-Exit-Key: Short press to enter the next step or confirm the value in the OSD menu setting, long press to exit the current menu.

USB-C: Audio and video signal transmission.

Charging: Power supply to this Type-C charging port is mandatory.

2 x Mini HDMI: Audio and video signal transmission, directly connected to each monitor.

1.3. Parameter Settings

There are different parameter settings for the dual monitors.

Configure the display parameters according to the following instructions.

1. Short press the **Menu-Power-Key** to activate the OSD menu of one monitor, or short press again to switch to another monitor.
2. Press the +/- **Key** to switch menus.
3. Press the **Confirm-Exit-Key** to confirm.
4. Press the +/- **Key** to adjust the value.

1.4. How to open and setup the monitor

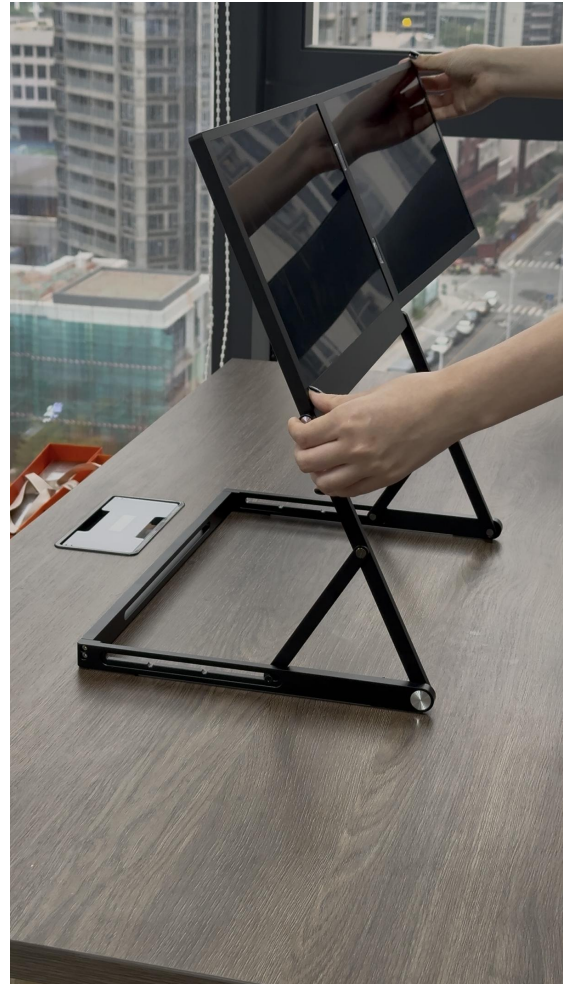
- 1) Put the DuoCreate 15 on your desktop with the right direction as the following figure.



2) Unfold the stand as the following and fix the stand.



3) Rotate the folded monitor to make it straight.



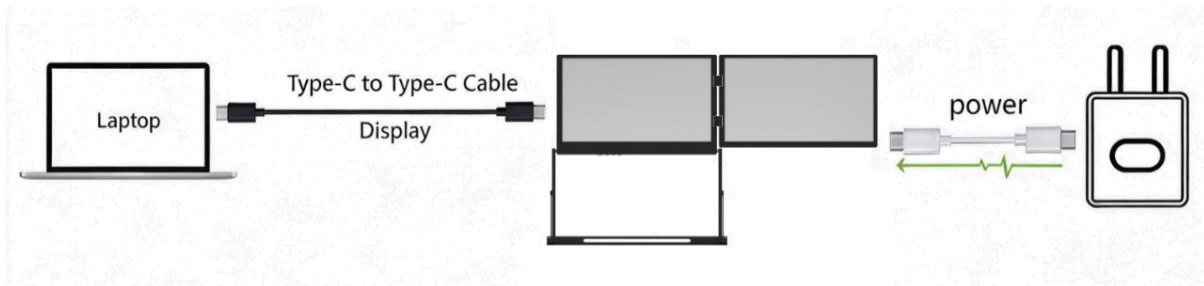
- 4) Unfold the monitor, and adjust the best viewing angle for you.



- 5) Please follow the steps from above 4 to 1 to fold the DuoCreate 15 monitor while you are going to take it.

2. Connection and Setup

2.1. Connect the Laptop/PC with a Type-C to Type-C Cable

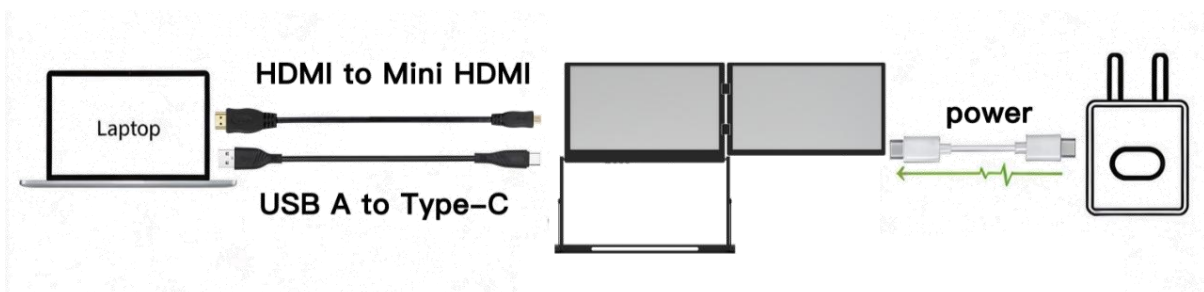


1. Plug in the power adapter with Type-C to Type-C charging cable to the monitor.
2. Connect the monitor to the Type C port of PC/Laptop with Type C to Type C cable.

Note:

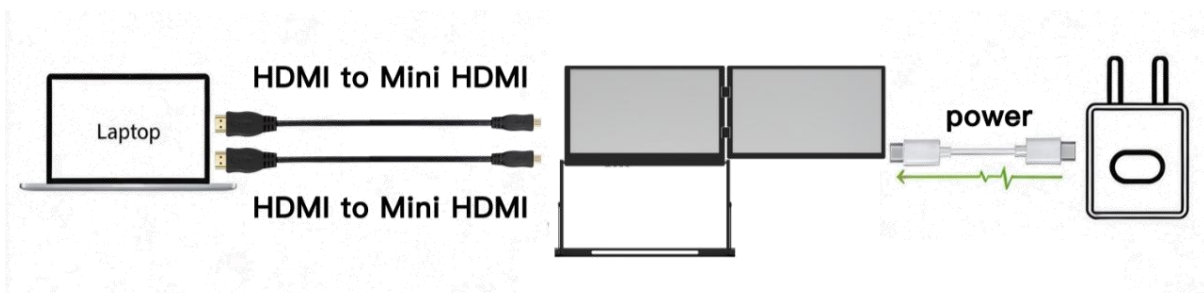
- The external power supply is mandatory because the output power from the Type C port of laptop/PC is not enough.
- The Type C port of PC/Laptop must have the display and USB function at the same time.

2.2. Connect the Laptop/PC with a USB A-C and HDMI Cable



1. Plug in the power adapter with Type-C to Type-C charging cable to the monitor.
2. Connect the monitor to USB port of PC/Laptop with USB to Type C cable.
3. Connect the monitor to HDMI port of PC/Laptop with HDMI to HDMI mini cable.

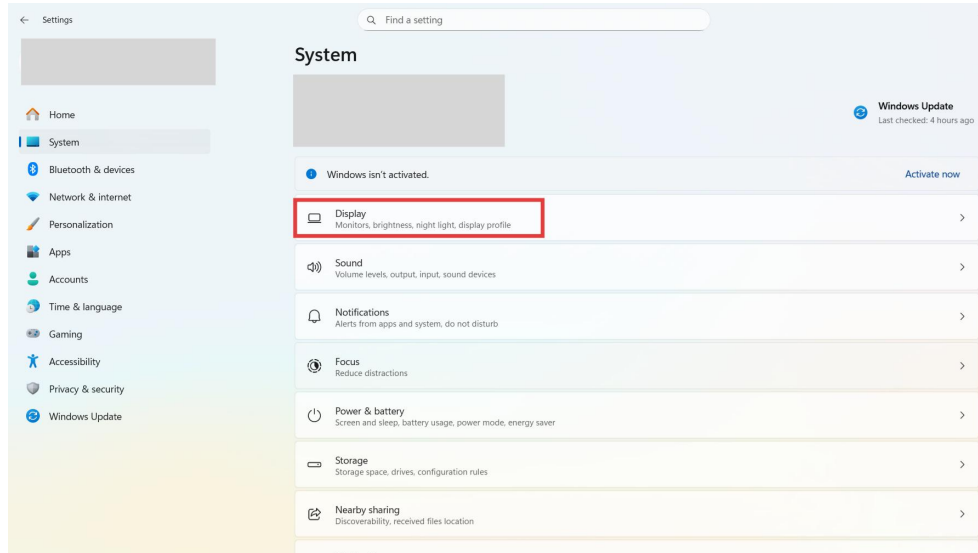
2.3. Connect the Laptop/PC with HDMI Cable



1. Plug in the power adapter with Type-C to Type-C charging cable to the monitor.
2. Connect the monitor to HDMI port of PC/Laptop with HDMI to HDMI mini cable which directly connected to different monitor.

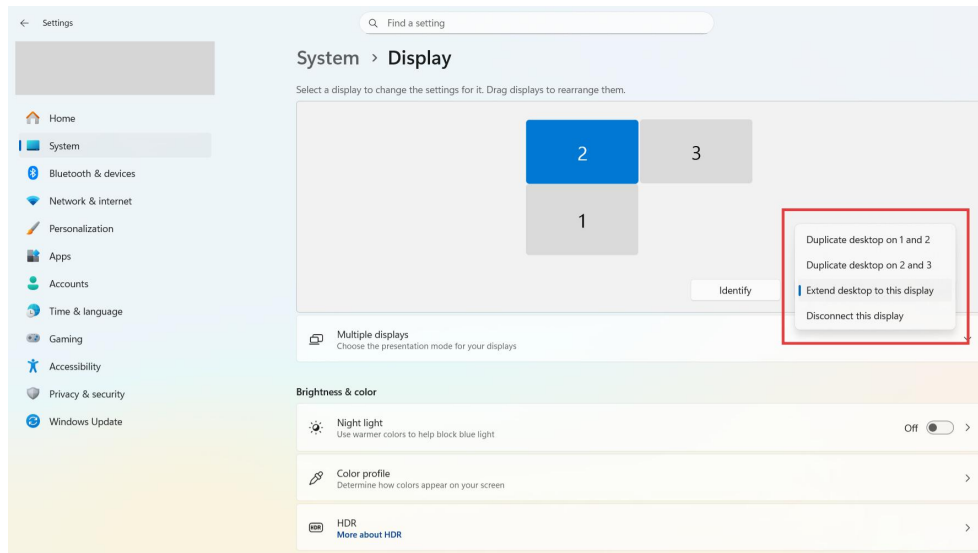
2.4. Windows Display Setup

1. After the driver was successfully installed, connected the Windows PC. And then enter the system **Settings**.



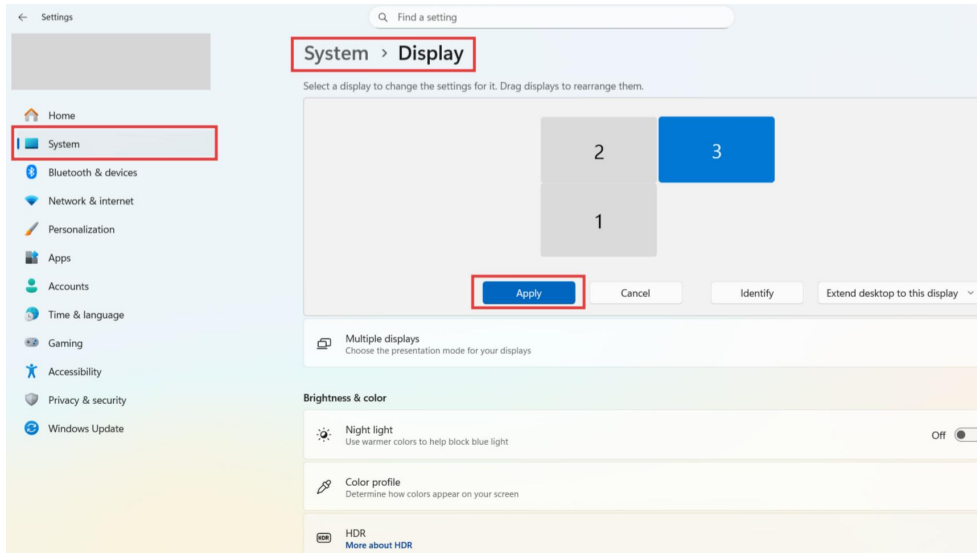
2. Enter **Display** settings. Scroll down to select **Duplicate** these displays or **Extend** these displays.

1) For extended displays, normally arrange like the following one.



Note: if you are not sure the actual number for each monitor, click **Identify** and the number will be showed on each monitor.

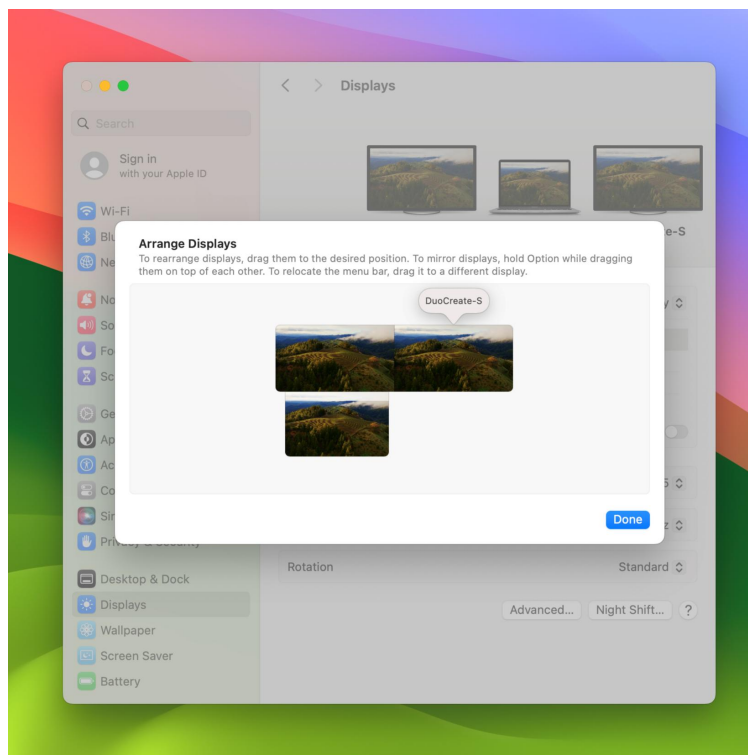
2) Windows only supports two displays duplicated currently.



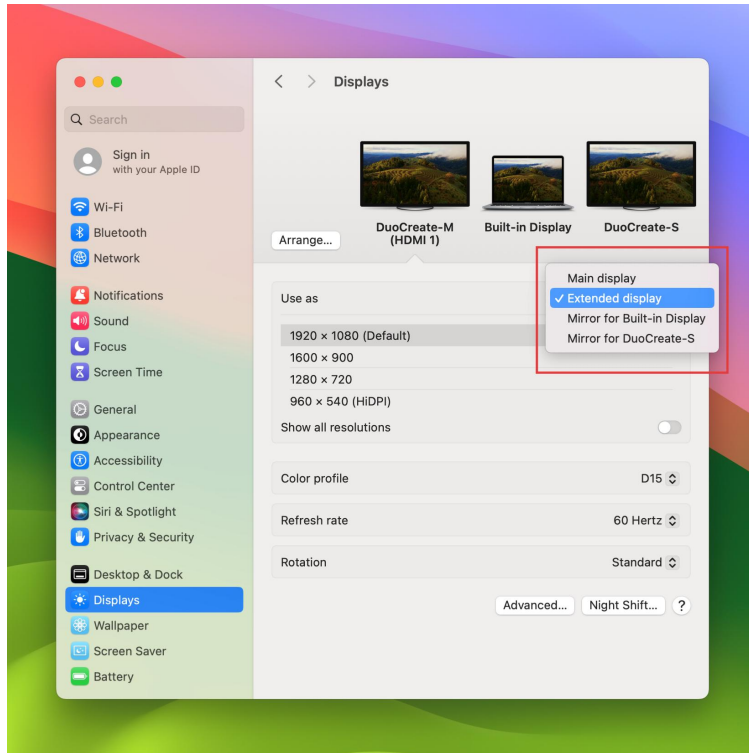
3. You can drag the displays to rearrange them to match the actual position of the monitors and click **Apply** to confirm your rearrangement.

2.5. macOS Display Setup

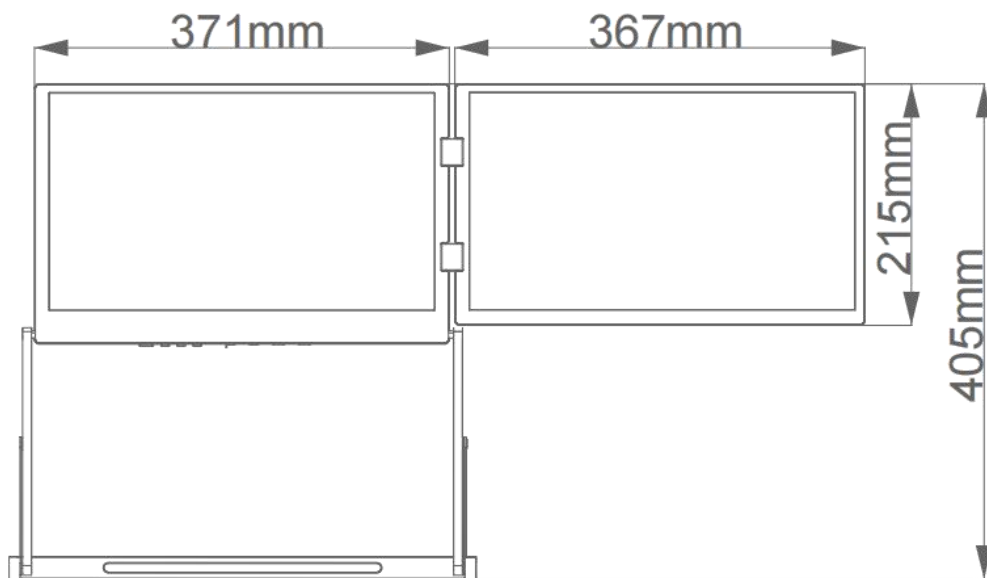
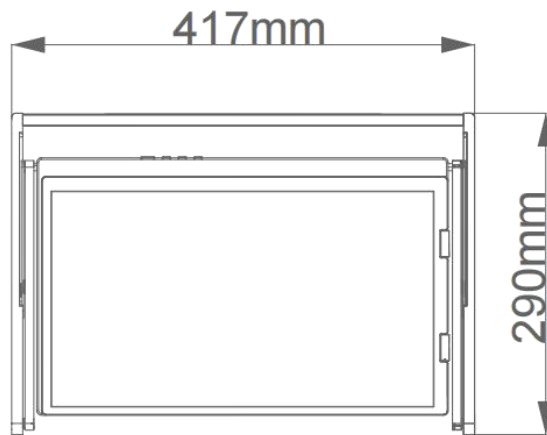
1. After the driver was successfully installed, connected the Mac PC. Enter the **System Preferences** and click **Displays**. Drag the display to rearrange the position to match the actual position of the monitors.



2. Click **Display Settings**, and then scroll Down to the **Use as** area and select **Stop Mirroring** to use as the extended display.



3. Specifications



3.1. Technical specifications

Description	Parameters
Module No.	DuoCreate 15
Panel Size	15.6" (16 : 9) Dual Screen
Aspect Ratio	16 : 9
Panel Type	IPS
Screen Cover Type	PC front bezel
Color gamut	100% sRGB
Resolution	1920 x 1080p
Brightness (Typ.)	300 (±30) Nits
Refresh Rate	60 Hz
View Angles	85/85/85/85 (Typ.)(CR≥10)
Response Time	10 ms
Connectivity	1 x Type-C to support dual display 1 x USB A-C + 1 x mini HDMI for dual monitors 2 x HDMI direct connection to each monitor
Fold Angle	0~ 360°
Speaker	2 x 6Ω 2W
Keys	4 Keys: Menu/Power, Up/+, Down/-, Confirm/Exit
Compatible systems	Windows, macOS, Linux
Net Weight	2.05 KG
Dimension	Unfolding: 743 x 290 x 355-405 mm Folded: 417 x 290 x 24 mm
Shell Material	Aluminum alloy

4. Trouble Shooting

4.1. How to connect correctly?

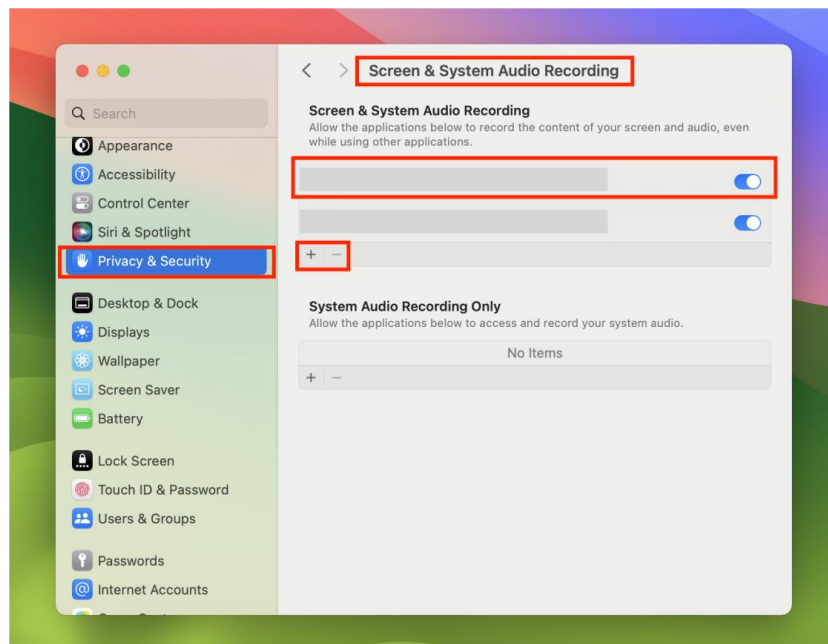
Please make sure you're using the cables that we provide. The right connections are as follows:

- 1. If the Type-C port on your computer supports video signal transmission**, please use a full-function Type-C to Type-C cable to connect to the Type-C port on the monitor. Additionally, **connect the power cable to the other Type-C port.**
- 2. If the Type-C port on your computer does not support video signal transmission**, you can use a Type-C to Type-C cable and an HDMI to mini HDMI cable connection as an alternative. Please use a USB-A to Type-C cable to connect to the monitor's Type-C port, and an HDMI to mini HDMI cable to connect to the first mini HDMI port on the monitor (counting from the top). Additionally, **connect the power cable to the other Type-C port.**
- 3. If the Type-C port on your computer does not support video signal transmission**, but you have a USB-A port that supports data transfer, please use a USB-A to Type-C cable to connect to the Type-C port on the monitor, and at the same time, use an HDMI to mini HDMI cable to the first mini HDMI port on the monitor(). Additionally, **connect the power cable to the other Type-C port.**
- 4. If your computer has a sufficient number of HDMI ports**, you can use three HDMI to mini HDMI cables to connect to the three mini HDMI ports on the monitor (each mini HDMI port corresponds to a specific screen). Additionally, **connect the power cable to the other Type-C port.**

4.2. Only part of screen works.

- 1. Only the middle screen works.**

1) Please check the driver has already installed correctly. MacBook user please check the Screen & System Audio Recording has already turned on.



2) One HDMI cable only support one monitor. If your laptop has Type-C port, please change to Type-C to Type-C cable; If your laptop does not have Type-C port, please use HDMI + USB, HDMI plug in the left HDMI port. For detailed connection instructions, please refer to 4.1.

2. Only the side screen works.

The main reason is the Type-C port of your laptop does not support Type-C display function, not full function Type-C, it needs to plug in HDMI to the left port to make it dual display. For detailed connection instructions, please refer to 4.1.

4.3. All displays are non-operational?

1. Please ensure the monitor is connected to a power source.
2. If the power connection is normal, try long-pressing the power button at the bottom of the screen to turn it on.
3. Please ensure that the monitor is connected to a power adapter with sufficient wattage.

4.4. Why is there a difference in color between the screens? (masOS only)

1. Please ensure True Tone is turned off in your Display settings.
2. Each display has its own configurable settings. Please verify that the display parameters (like color profile and brightness) are consistent across all screens.
3. Please go to **Settings > Display** and set the color profile for all monitor screens to match that of the computer's main screen.