

---

# **TriCreate Pro Foldable Triple Monitor**

# **Product Specification**

**1.0**

## Version History

Date	By	Changes	Version
2025-09-17		• Initial Version	1.0

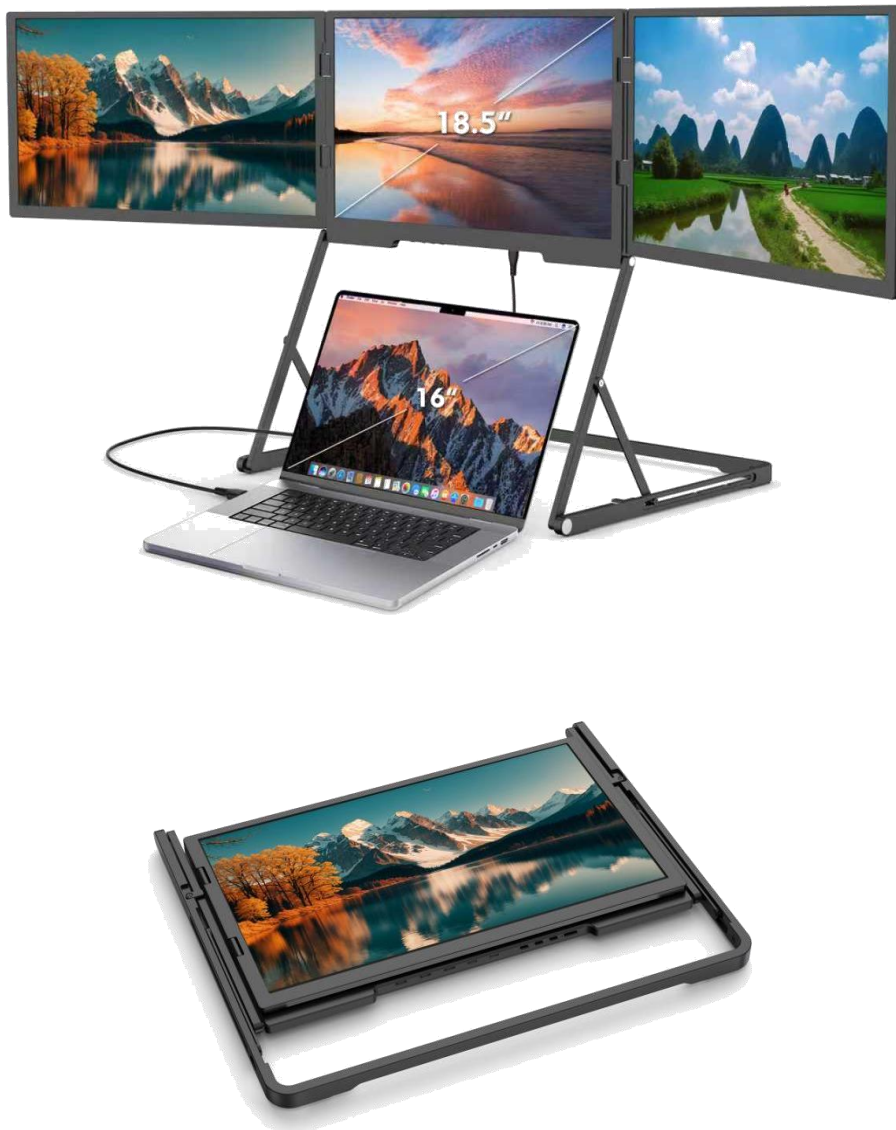
# Contents

<b>Version History .....</b>	<b>2</b>
<b>1. Introduction .....</b>	<b>4</b>
<b>2. Features .....</b>	<b>5</b>
<b>3. Typical Applications .....</b>	<b>7</b>
<b>4. Technical Specifications .....</b>	<b>8</b>

## 1. Introduction

The TriCreate Pro is a foldable triple monitor designed to significantly enhance your productivity. Featuring an innovative patent-pending foldable stand, it positions three expansive 18.5-inch screens perfectly above your laptop display and folds compactly for effortless portability. Ideal for a wide range of mobile work scenarios—including business travel, engineering tasks, and meetings—the TriCreate Pro empowers professionals who demand more screen space and versatility.

Connect the TriCreate Pro with just a single Type-C cable, or use USB to HDMI adapters for external connectivity. Its streamlined setup ensures a seamless and user-friendly experience wherever you work.



## 2. Features

- 3 x 18.5 inches FHD IPS Monitors
  - Display Resolution: 1920 x 1080p
  - Aspect Ratio: 16:9
  - Refresh Rate: 60 Hz
  - Color gamut: 72%NTSC
  - Brightness:300(±30) Nits
  - Wide Angle: 178°
  - Support Low Blue light, comfortable for eyes
- 3 x 18.5 inches QHD IPS Monitors
  - Display Resolution: 2560 x 1440p
  - Aspect Ratio: 16:9
  - Refresh Rate: 60 Hz
  - Color gamut: 72%NTSC
  - Brightness:380(±30) Nits
  - Wide Angle: 178°
  - Support Low Blue light, comfortable for eyes
- Connection and Interfaces
  - 3 x HDMI exclusive for each monitor
  - 1 x USB A-C + 1 x mini HDMI for triple monitors
  - 1 x Type-C to support triple display
- Compatible with multiple systems and devices
  - Windows
  - Mac: including M1, M2, M3, M4, M5
  - The left and right monitor swivel Angel: 360°
  - Auto magnetic suction for the outside screens while it is in the triangle display mode.



- Built-in flexible kick stand

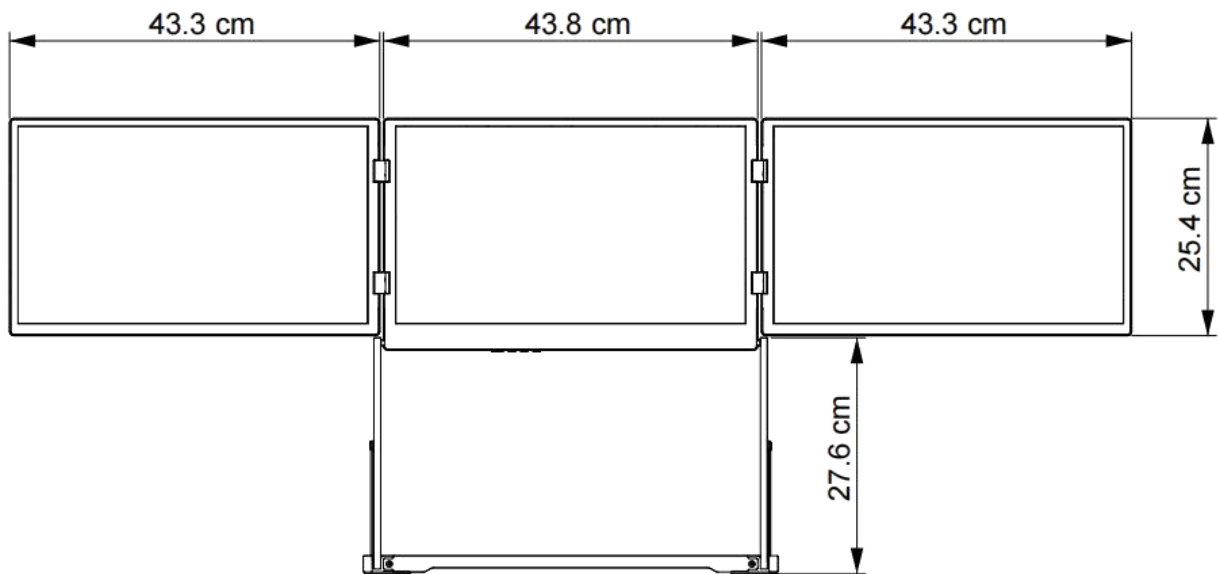
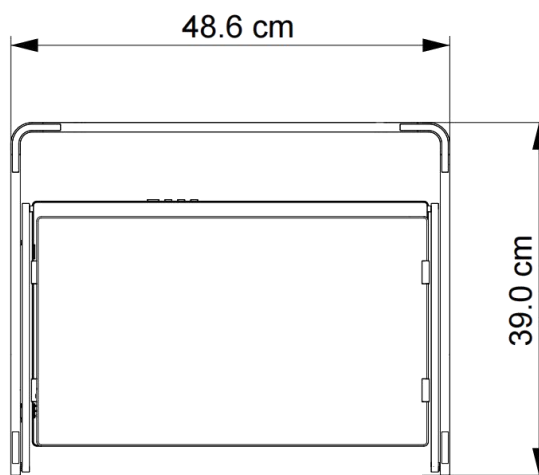
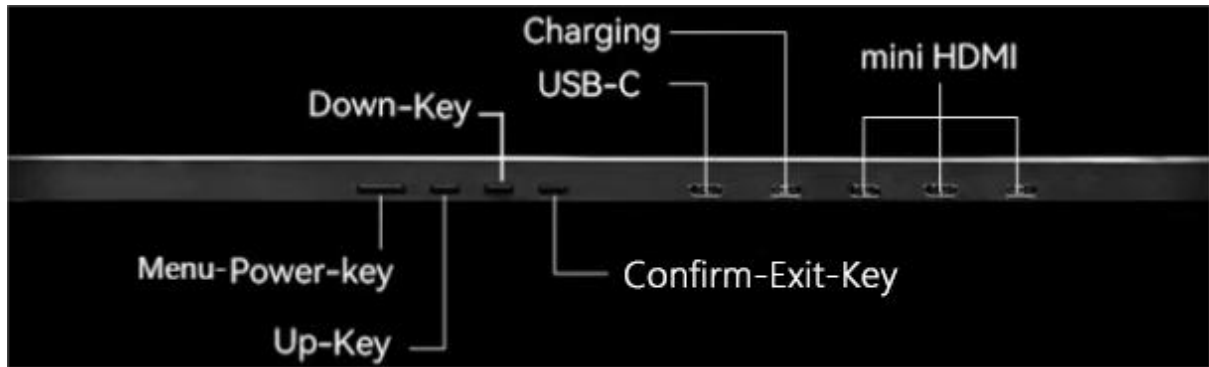
- 4 rotatable handles for the stand
- 3 Adjustable Height: ①125mm ②205mm ③250mm
- Compatible Laptop Size: ≤ 18.5 inches

### 3. Typical Applications

- Engineering: software programming, algorithms analysis, hardware drawing, mechanical design
- Design: Industrial Design, Video editing
- Financial: Stock real time tracking, stock market analysis, data comparison and analysis
- Music composing
- Gaming: 3-in-1 display mode helps you to get more map contents of the game
- On-the-go office



## 4. Technical Specifications



Description	Parameters	
Model	TriCreate Pro (FHD)	TriCreate Pro (QHD)
Panel Size	18.5" (16 : 9) Triple Screen	
Panel technology	IPS	
Color gamut	72%NTSC	
Display Colors	16.7 M	
Resolution	1920 x 1080p	2560 x 1440p
Viewing angle: Vertical Horizontal	85° (typical) 85° (typical)	
Brightness (Typ.)	300(±30) Nits	380(±30) Nits
Keys	4 Keys: Menu-Power, Up/+, Down/-, Confirm-Exit	
Speaker	2 x 6 Ω 2W	
Refresh rate	60 Hz	
Connectivity	1 x Type-C to support triple display 1 x USB A-C + 1 x mini HDMI for triple monitors 3 x HDMI direct connection to each monitor	
Fold Angle	0~ 360°	
Net Weight	4.2KG	
Cross Weight	5.2KG	
Package Size	520 x 440 x 80 mm	
Compatible systems	Windows, macOS	
Operating Condition	Temperature:0°C-50°C Humidity:20%-80%	
Storage condition	Temperature -20°C - +60°C Humidity: 5% - 90%, non-condensing	
Power Charger	USB - PD	
Certifications/Compliance	