

TriCreate 16 Foldable Triple Monitor

Product Specification

1.0

Version History

Date	By	Changes	Version
2026-02-27		• Initial Version	1.0

Contents

Version History	2
1.0. Introduction	4
2.0. Features	5
3.0. Typical Applications	6
4.0. Technical Specifications	7

1.0. Introduction

The TriCreate 16 is a three-screen solution designed for professionals who need an expansive horizontal workspace. Three 16-inch displays are arranged side by side, creating a nearly seamless visual extension—eliminating the need for constant window switching or excessive head movement, with all information laid out within a single horizontal field of view.

Whether for financial data analysis, video editing timelines, software development and debugging, or multi-document comparison, the TriCreate 16 delivers an immersive work experience. With three screens working in unison, information is always in sight, naturally boosting productivity.

Staying true to the portability DNA of the TriCreate series, the TriCreate 16 features the same patented foldable stand—set up in seconds, and ready to go when you are. A single Type-C cable handles video, data, and power delivery, keeping your desktop as clean as day one.

Two versions are available to meet different needs:

FHD version: 1920 x 1200, smooth and clear, ideal for daily office work

QHD version: 2560 x 1600, crisp and detailed, suited for professional creation

TriCreate 16—widen your view, work with ease.

2.0. Features

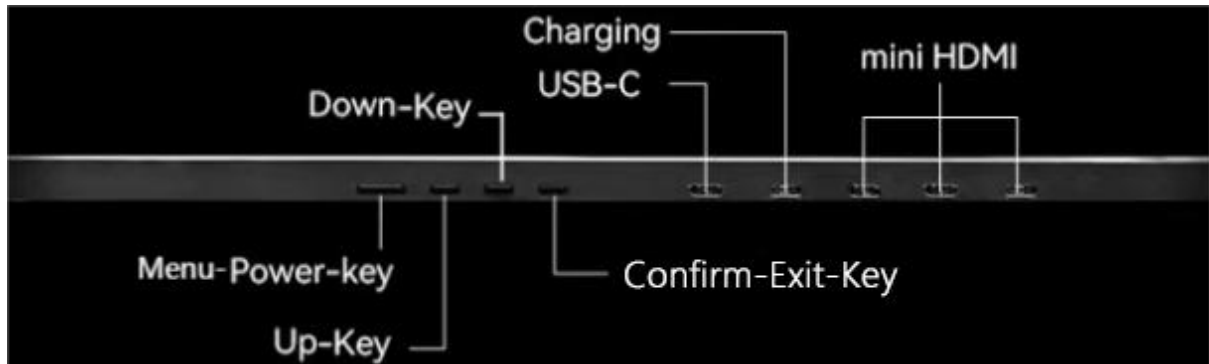
- 3 x 16 inches FHD IPS Monitors
 - Display Resolution: 1920 x 1200 p
 - Aspect Ratio: 16 : 10
 - Refresh Rate: 60 Hz
 - Color gamut: 72%NTSC
 - Brightness:300(\pm 30) Nits
 - Wide Angle: 178°
 - Support Low Blue light, comfortable for eyes
- 3 x 16 inches QHD IPS Monitors
 - Display Resolution: 2560 x 1600 p
 - Aspect Ratio: 16 : 10
 - Refresh Rate: 60 Hz
 - Color gamut: 72%NTSC
 - Brightness:430 (\pm 30) Nits
 - Wide Angle: 178°
 - Support Low Blue light, comfortable for eyes
- Compatible with multiple systems and devices
 - Windows
 - Mac: including M1, M2, M3, M4, M5
 - Linux: Ubuntu
 - The left and right monitor swivel Angel: 360°
 - Auto magnetic suction for the outside screens while it is in the triangle display mode.
 - Built-in flexible kick stand
 - 4 rotatable hingels for the stand
 - 3 Adjustable Height
 - Compatible Laptop Size: \leq 18.5 inches

3.0. Typical Applications

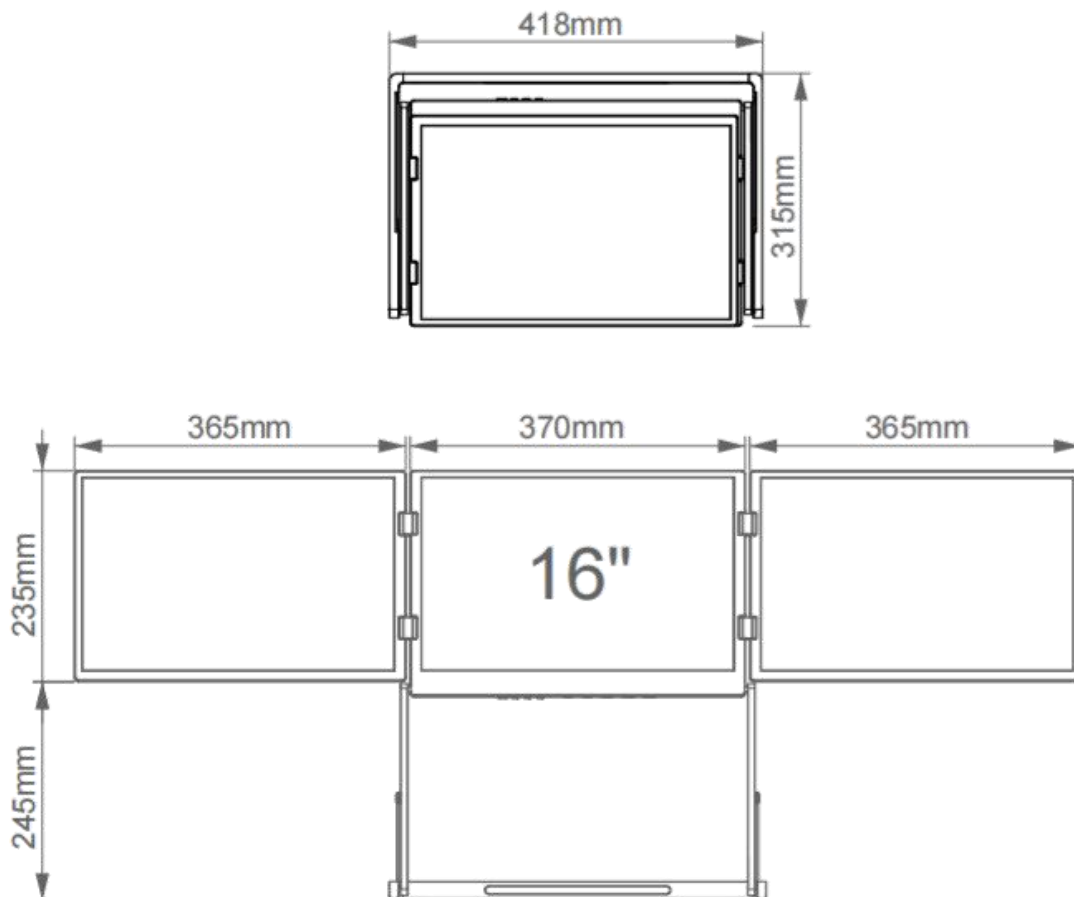
- Engineering: software programming, algorithms analysis, hardware drawing, mechanical design
- Design: Industrial Design, Video editing
- Financial: Stock real time tracking, stock market analysis, data comparison and analysis
- Music composing
- Gaming: 3-in-1 display mode helps you to get more map contents of the game
- On-the-go office



4.0. Technical Specifications



- Connection and Interfaces
 - 3 x HDMI exclusive for each monitor
 - 1 x USB A-C + 1 x mini HDMI for triple monitors
 - 1 x Type-C to support triple display
- Power Delivery
 - Type C charging port
- Buttons: 4 keys for triple monitor: from left to right, Menu-Power, Up/+, Down/-, Confirm-Exit



Description	Parameters	
Model	TriCreate 16 (FHD)	TriCreate 16 (QHD)
Panel Size	16" (16 : 10) Triple Screen	
Panel technology	IPS	
Color gamut	72%NTSC	
Display Colors	16.7 M	
Resolution	1920 x 1200p	2560 x 1600p
Viewing angle: Vertical Horizontal	85° (typical) 85° (typical)	
Brightness (Typ.)	300 (±30) Nits	430 (±30) Nits
Keys	4 Keys: Menu-Power, Up/+, Down/-, Confirm-Exit	
Speaker	2 x 6 Ω 2W	
Refresh rate	60 Hz	
Connectivity	1 x Type-C to support triple display 1 x USB A-C + 1 x mini HDMI for triple monitors 3 x HDMI direct connection to each monitor	
Fold Angle	0~ 360°	
Net Weight	3.4 KG	
Dimension	Unfolding: 1110 x 315 x 380 - 480 mm Folded: 418 x 315 x 28 mm	
Compatible systems	Windows, macOS, Linux	
Operating Condition	Temperature:0°C-50°C Humidity:20%-80%	
Storage condition	Temperature -20°C - +60°C Humidity: 5% - 90%, non-condensing	
Power Charger	USB - PD	
Certifications/Compliance	